

Project Name:	
Catalog Number:	Fixture Type:
Volts / Watts:	Lamps / Board:



RZ 4FT LOW PROFILE LED STRIP RETROFIT FROSTED

FEATURES

COMMERCIAL

- 48" x 4.4" Channel Retrofit
- Durable Steel Construction
- Frosted Acrylic Lens Attached
- Multiple Dimming and Sensor Options to Fully Control Occupied and Unoccupied Light Levels
- Color Temps Available in 3000K, 3500K, 4000K, & 5000K
- Contact Factory for Other Wattage Options
- 0-10V Dimmable (100%-5%)
- Dry and Damp Location Listed
- 5 Yr. Warranty
- DesignLights Consortium™ Premium Qualified Luminaire
- Parts Included in This Kit:
 - LED Channel x1
 - LED Driver x1
 - LED Driver Plate x1
 - Fixture ID Label x1
 - Self-drilling Screws x5
 - Driver Screws x2
 - QDC Driver x1
 - QDC Power x1



LED SYSTEM

	44WLED
Calculated L70 (TM-21)	>100 K
Delivered Lumens	5,158 lm
Total Input Watts	45 W
Luminaire Efficacy Rating (LER)	116 lm/W
Correlated Color Temperature (CCT)	4000K
Color Rendering Index (CRI)	>80
Max Ambient Temp	110°F
Min Ambient Temp	-4°F
Universal Driver	120-277 V

LED System data above based on RZ4B-44WLED-UNIV-40-FRAL
 LED Lumen Maintenance Estimates based on TM-21 projections for the light source at 25°C ambient
 Specific Configurations Listed on DLC

SUITABLE APPLICATIONS

- Schools
- Warehouse
- Distribution Centers
- Retail Applications
- Manufacturing Facilities
- Hallways



Ordering Guide

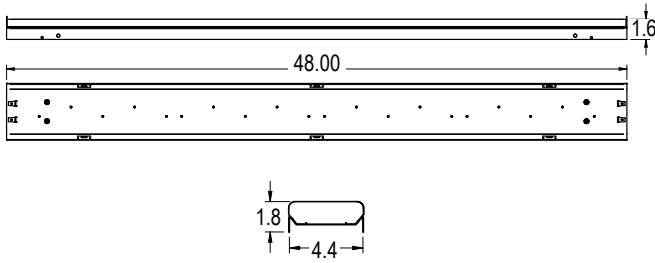
RZ4B	44WLED	UNIV	40	eg: FRAL
------	--------	------	----	----------

Series	LED	Driver	Color	Options
--------	-----	--------	-------	---------

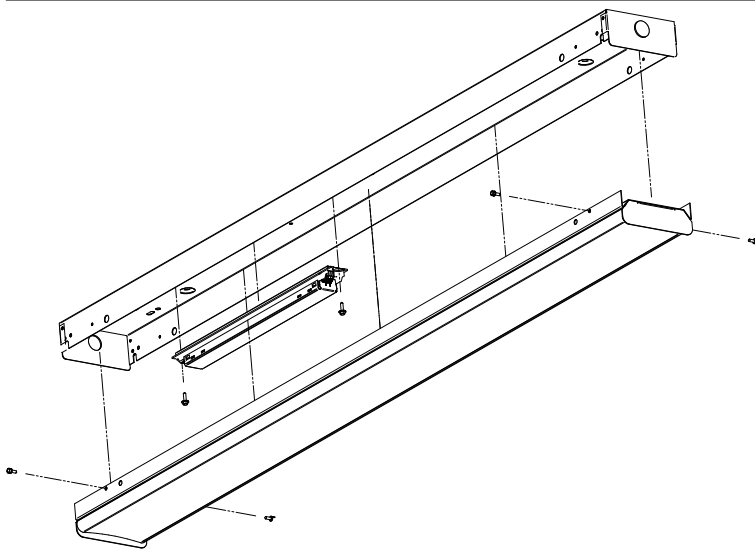
<input type="checkbox"/> RZ4B	Retrofit Channel 4ft	<input type="checkbox"/> 44WLED	<input type="checkbox"/> UNIV 120-277 Driver	<input type="checkbox"/> 30 <input type="checkbox"/> 35 <input type="checkbox"/> 40 <input type="checkbox"/> 50	<input checked="" type="checkbox"/> FRAL Frosted Acrylic Lens <input type="checkbox"/> SD480 480V Step Down Transformer <input type="checkbox"/> ILBCP05 5W LED Field Installed Battery Backup <input type="checkbox"/> ILBCP07 7W LED Field Installed Battery Backup <input type="checkbox"/> ILBCP10 10W LED Field Installed Battery Backup <input type="checkbox"/> ILBCP12 12W LED Field Installed Battery Backup <input type="checkbox"/> FIOS On/Off Occupancy Sensor Installed <input type="checkbox"/> USBD User Select Bi-level Dim w/ Occ. Sensor <input type="checkbox"/> BLD Bi-Level Dim (Controlled via 2 Hot Leads) <input type="checkbox"/> BDxx Preset Bi-level Dim Sensor (xx=% eg. 20,30) <input type="checkbox"/> WC 11 Ga Wire Cage <input type="checkbox"/> ES EasySense Control <input type="checkbox"/> ES/WS EasySense Wall Switch <input type="checkbox"/> ES/PCD Pre-Installed App On Control Device For Commissioning
-------------------------------	----------------------	---------------------------------	----------------------------------------------	--------------------------------------------------------------------------------------------------------------------------	------------------------------------------------------------------------------------------------------------------------------------------------------------------------------------------------------------------------------------------------------------------------------------------------------------------------------------------------------------------------------------------------------------------------------------------------------------------------------------------------------------------------------------------------------------------------------------------------------------------------------------------------------------------------------------------------------------------------------------------------------------------------------------------------------------------------------------------------------------------------------------------------------------------------------------------------------------------------------------------

RZ 4FT LOW PROFILE LED STRIP RETROFIT FROSTED

COMMERCIAL



MOUNTING

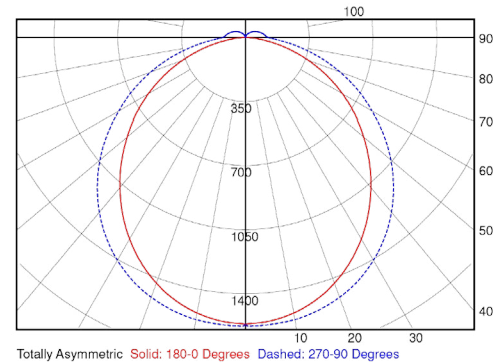


RZ4B-44WLED-UNIV-40-FRAL

SUMMARY DATA

HEMISPHERES TESTED:	BOTH
EFFICIENCY (Total):	100.0%
EFFICIENCY (Downlight):	95.9%
EFFICIENCY (Uplight):	4.1%
CIE CLASSIFICATION:	DIRECT
LUMENS/LAMP:	4878.776
NO. OF LAMPS:	1
LUMINOUS OPENING: RECTANGULAR:	
Width:	0.35 (Feet)
Length:	4.00
Height:	0.06
INPUT WATTS:	44.246

PLANE AND CONE DIAGRAM



Photometric values based upon tests performed in compliance with LM-79. IES files can be downloaded at www.ilp-inc.com

Industrial Lighting Products

LED lighting facts
A Program of the U.S. DOE

Light Output (Lumens)	5158
Watts	44.6
Lumens per Watt (Efficacy)	115.65

Color Accuracy	85
Color Rendering Index (CRI)	

Light Color
Correlated Color Temperature (CCT) **4000 (Bright White)**

2700K 3000K 4500K 6500K

All results are according to IESNA LM-79-2008: *Approved Method for the Electrical and Photometric Testing of Solid-State Lighting*. The U.S. Department of Energy (DOE) verifies product test data and results.

Visit www.lightingfacts.com for the *Label Reference Guide*.

Registration Number: -HXAVYD (12/2/2015)
Model Number: RZ4B-44WLED-UNIV-40-FRAL
Type: Luminaire - Linear